

Features

- 2-way normally closed operation
- For control of commercial and industrial gas burners
- Ideal for high pressure applications
- Brass body construction
- Mountable in any position

Fluid

Fuel Gas

Construction

| Valve Parts in Contact with Fluids | |
|------------------------------------|----------------------|
| Body | Brass |
| Seals and Disc | NBR |
| Core Tube | 305 Stainless Steel |
| Core and Plugnut | 430F Stainless Steel |
| Springs | 302 Stainless Steel |
| Shading Coil | Copper |

Electrical

| Standard Coil and Class of Insulation | Watt Rating and Power Consumption | | | Ambient Temp. °F | Spare Coil Family | |
|---------------------------------------|-----------------------------------|------------|-----------|------------------|-------------------|----------------|
| | AC | | | | General Purpose | Explosionproof |
| | Watts | VA Holding | VA Inrush | | AC | AC |
| F | 10.1 | 25 | 70 | 32 to 125 | 238610 | 238614 |
| F | 10.1 | 25 | 70 | 32 to 140 | 238810 | 238914 |

Standard Voltages: 24, 120, 240 volts AC, 60 Hz (or 110, 220 volts AC, 50 Hz).
Optional High Ambient Temp: 140°F Class H coil with prefix HT.

Solenoid Enclosures

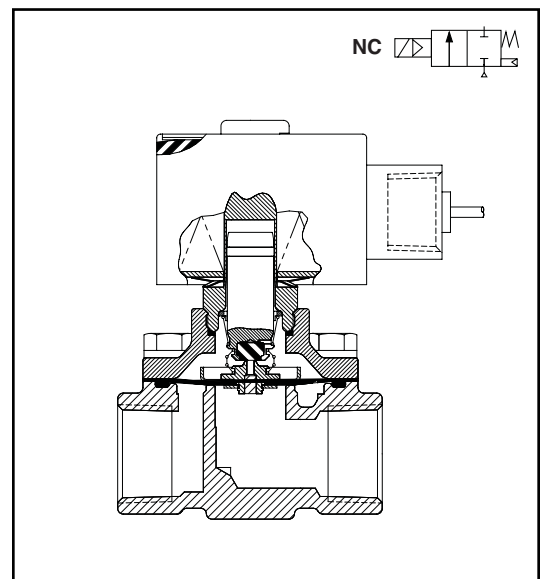
Standard: Watertight, Types 1, 2, 3, 3S, 4, and 4X with 1/2" conduit hub.

Optional: RedHat II - Explosionproof and Watertight. To order, add Prefix "EF" to catalog numbers. (e.g. EF8210G075)

Valve Response Time

Opening Time: Less than 1 second

Closing Time: Less than 1 second



Approvals

UL listed to standard 429 "Electrically Operated Valves," Guide Y10Z, File MP618, Safety Valves.

FM Approved to Class 7400 "Liquid and Gas Safety Shutoff Valves."

CSA Certified to:

- 1) Standard C22.2 No. 139 "Electrically Operated Valves," File 010381
- 2) Automatic Gas Valves Z21.21 (6.5), File 112872.

Specifications (English units)

| Pipe Size (ins.) | Orifice Size (ins.) | Cv Flow Factor | Gas Capacity ① | | Operating Pressure Differential (psi) | | Max. Fluid Temp. °F | Catalog Number | Const. Ref. | Agency | | | Wattage | Approx. Shipping Weight (lbs) |
|--|---------------------|----------------|----------------|------|---------------------------------------|-----|---------------------|----------------|-------------|--------|-----|------|---------|-------------------------------|
| | | | Btu/hr. | Min. | Max. | UL | | | | FM | CSA | | | |
| COMBUSTION (Fuel Gas) - NORMALLY CLOSED | | | | | | | | | | | | | | |
| 3/8 | 5/8 | 2.8 | 150,000 | 0 | 50 | 125 | 8210G074 | 1 | ○ | ○ | ○ | 10.1 | 3.2 | |
| 1/2 | 5/8 | 3.6 | 193,000 | 0 | 50 | 125 | 8210G075 | 1 | ○ | ○ | ○ | 10.1 | 3.2 | |
| 3/4 | 3/4 | 5.0 | 295,000 | 0 | 50 | 125 | 8210G076 | 2 | ○ | ○ | ○ | 10.1 | 3.4 | |

○ = Safety Shutoff Valve. ① 1" W.C. Drop @ 2" W.C. Inlet Pressure, 1,000 Btu/cu.ft. or more, 0.64 Specific Gravity Gas.

Specifications (Metric units)

| Pipe Size (ins.) | Orifice Size (mm) | Kv Flow (m³/hr) | Gas Capacity ① | | Operating Pressure Differential (bar) | | Max. Fluid Temp. °C | Catalog Number | Const. Ref. | Agency | | | Wattage | Approx. Shipping Weight (kgs) |
|--|-------------------|-----------------|----------------|------|---------------------------------------|----|---------------------|----------------|-------------|--------|-----|------|---------|-------------------------------|
| | | | Btu/hr. | Min. | Max. | UL | | | | FM | CSA | | | |
| COMBUSTION (Fuel Gas) - NORMALLY CLOSED | | | | | | | | | | | | | | |
| 3/8 | 16 | 2.4 | 150,000 | 0 | 3.4 | 52 | 8210G074 | 1 | ○ | ○ | ○ | 10.1 | 1.5 | |
| 1/2 | 16 | 3.1 | 193,000 | 0 | 3.4 | 52 | 8210G075 | 1 | ○ | ○ | ○ | 10.1 | 1.5 | |
| 3/4 | 16 | 4.3 | 295,000 | 0 | 3.4 | 52 | 8210G076 | 2 | ○ | ○ | ○ | 10.1 | 1.5 | |

○ = Safety Shutoff Valve. ① 1" W.C. Drop @ 2" W.C. Inlet Pressure, 1,000 Btu/cu.ft. or more, 0.64 Specific Gravity Gas.

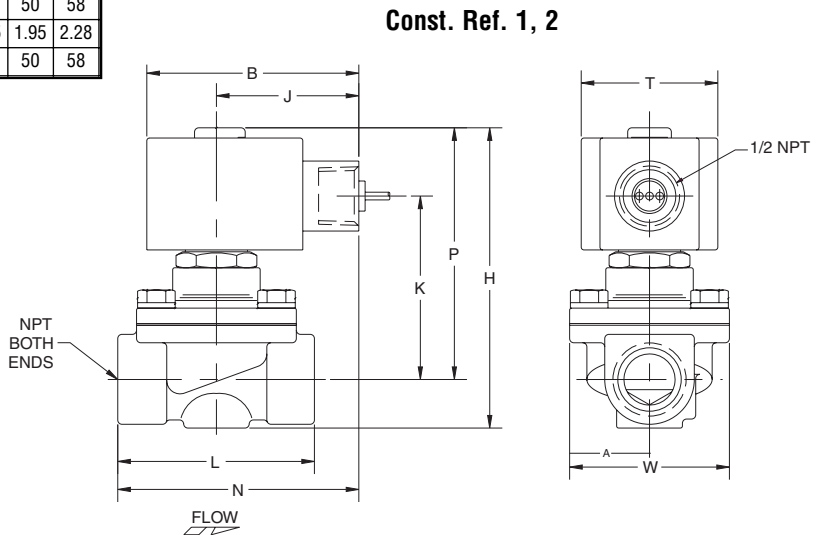
Capabilities Chart

| Solenoid Options | | | | Base Catalog Number | Resilient Materials | Standard Rebuild Kit |
|------------------|------------|--------------|---------------------------|---------------------|---------------------|----------------------|
| NEMA Type 3-9 | High Temp. | Junction Box | Wiring Box Screw Terminal | Brass | NBR | AC |
| EF | HT | JB | JKF | 8210G074 | ● | 304076 |
| EF | HT | JB | JKF | 8210G075 | ● | 304076 |
| EF | HT | JB | JKF | 8210G076 | ● | 304076 |

● = Standard. Other options may be available. All option combinations may not be available.

Dimensions inches (mm)

| Const. Ref. | A | B | H | J | K | L | N | P | T | W | |
|-------------|------|------|------|------|------|------|------|------|------|------|------|
| 1 | ins. | 1.66 | 3.03 | 3.95 | 2.04 | 2.42 | 2.75 | 3.42 | 3.39 | 1.95 | 2.28 |
| | mm | 42 | 77 | 100 | 52 | 61 | 70 | 87 | 86 | 50 | 58 |
| 2 | ins. | 1.66 | 3.03 | 4.20 | 2.04 | 2.58 | 2.81 | 3.45 | 3.55 | 1.95 | 2.28 |
| | mm | 42 | 77 | 107 | 52 | 66 | 71 | 88 | 90 | 50 | 58 |



Mountable in any position.

COMBUSTION